

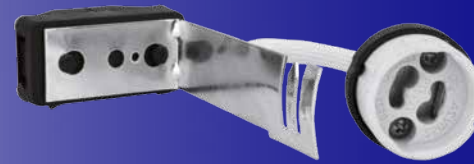
Kanlux



Spot light kit
Kanlux
TRIBIS II

Kanlux

Spot light kit TRIBIS II



+



+



TOMIV2 4,9W

**The complete
Kanlux TRIBIS II
set consists of:**

- 3 x light source
TOMIV2 GU10 - with
a warm white colour
and a power of 4.9W,
- 3 x ceramic holder
with a bracket,
- 3 x decorative ring.

Kanlux

TRIBIS spots are available with a movable ring,

allowing the light to be directed in a given direction,

in five interesting

colours: chrome, matt chrome, antique brass and classic black and white.



23843
TRIBIS II L AB



23844
TRIBIS II L C



23845
TRIBIS II L C/M



23853
TRIBIS II L B



23849
TRIBIS II L W



Kanlux

**You can choose round
or square spots in the set.**



23846
TRIBIS II O AB



23847
TRIBIS II O C



23848
TRIBIS II O C/M



23855
TRIBIS II O B



23854
TRIBIS II O W

Kanlux



Complete set of 3 spots, including bulbs, ready to install.

Kanlux

Kanlux TRIBIS II

Technical data:

Power supply [V]: **220-240V ~; 50Hz**

Power: **3x max 10W**

Protection class against electric shock electric: **II**

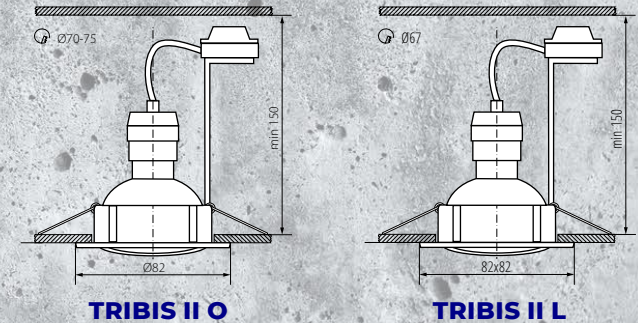
Light source: **TOMI v2 Gu10 with a power of 4.9W at warm white temperature (3000K)**

Cap: **GU10**

Material: **steel**

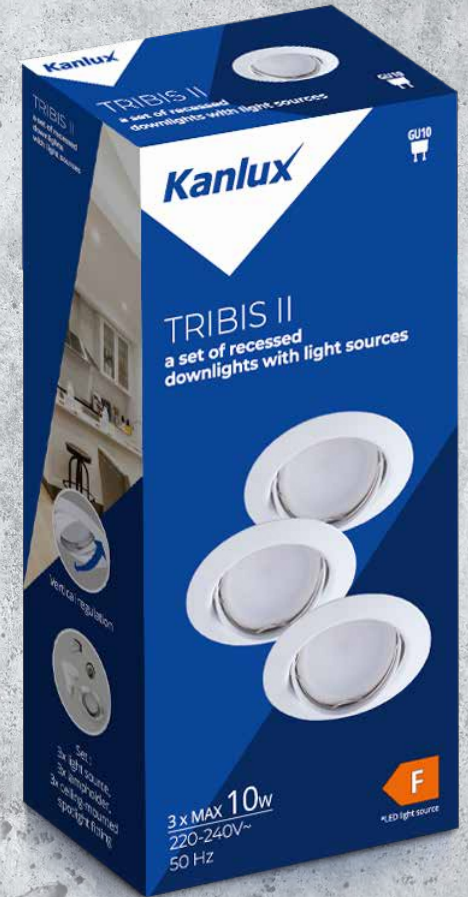
Protection degree: **IP20**

Lighting fixture angle adjustment **50°**



Kanlux

Kanlux TRIBIS II



well packed

kanlux.com